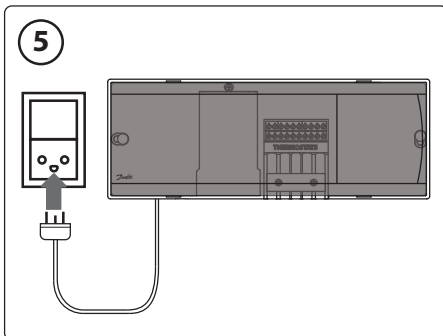
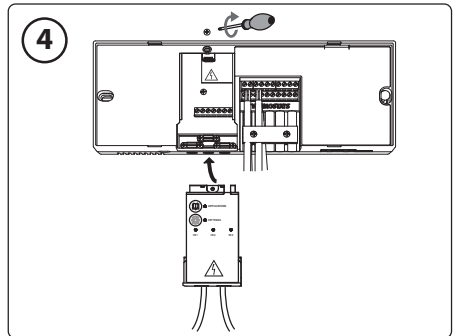
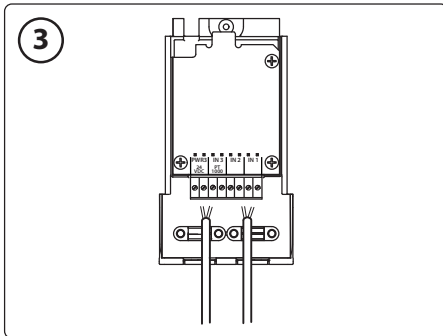
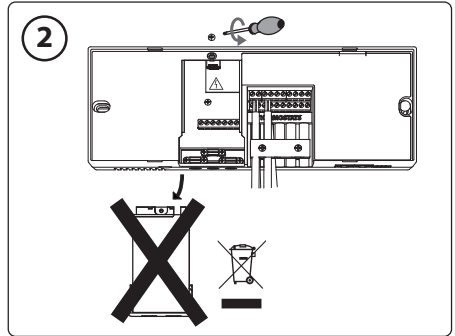
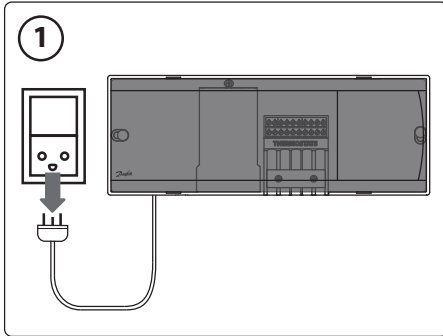
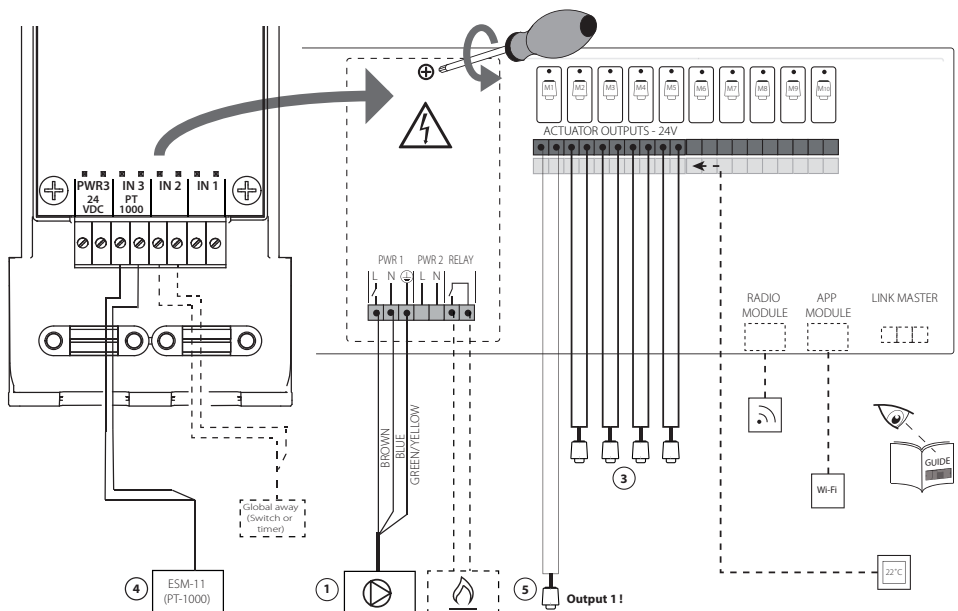
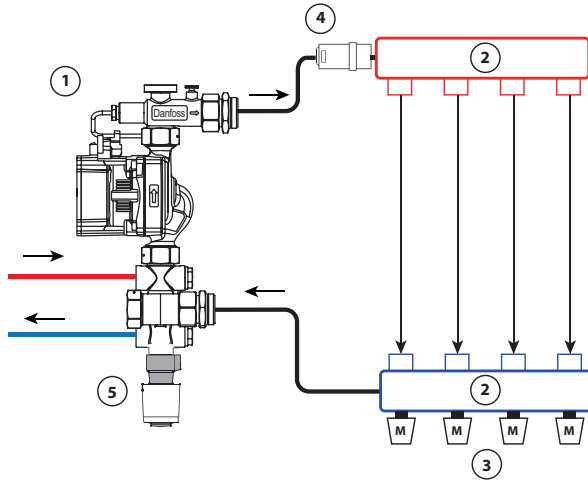


Application Guide

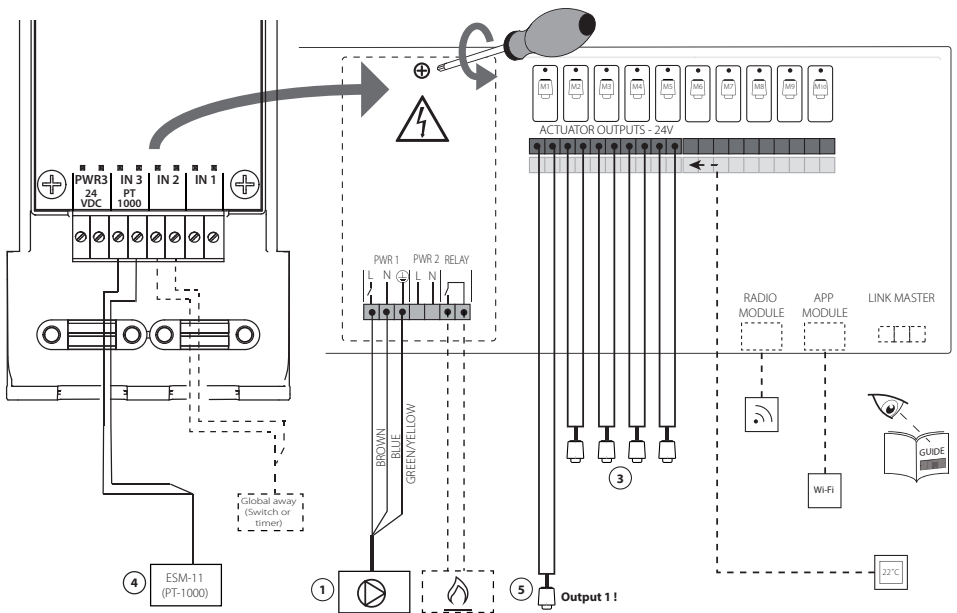
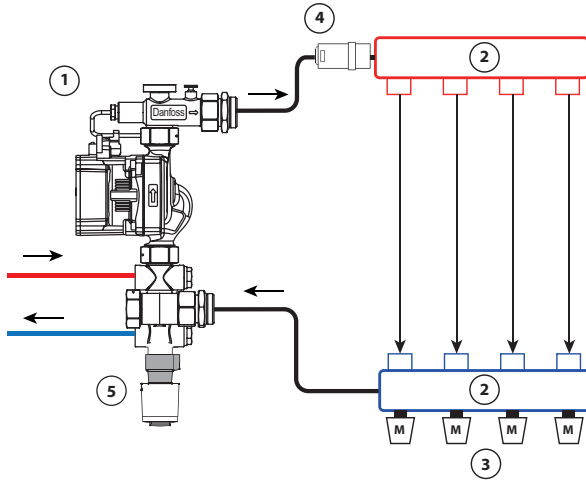
# Expansion Module for Danfoss *Icon*™ Master



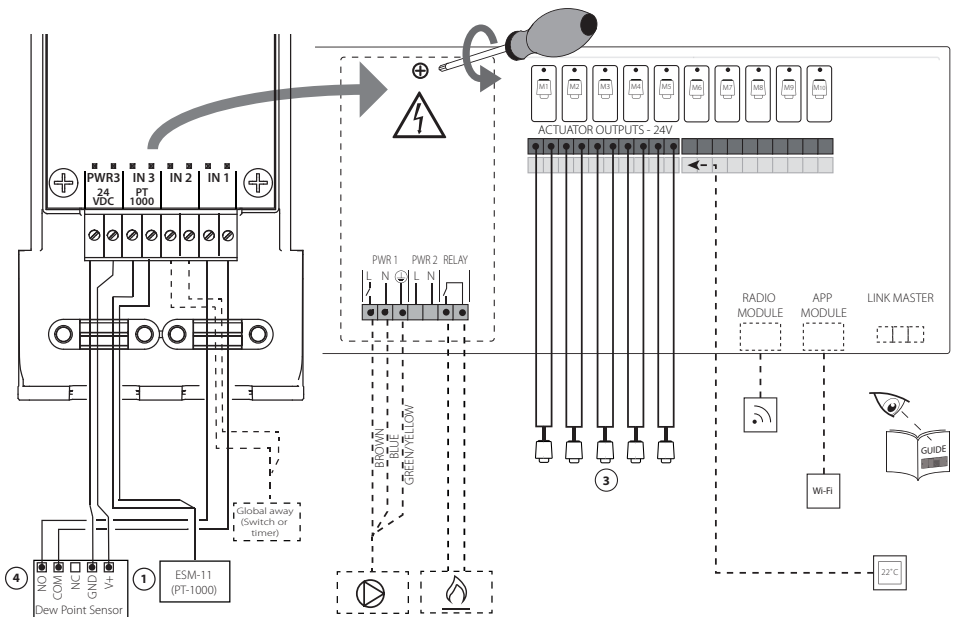
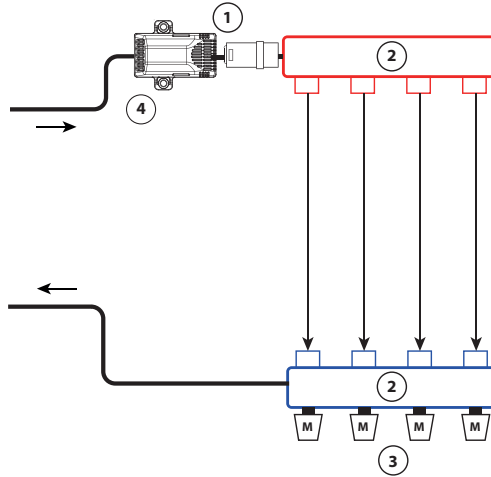
# Application 0001



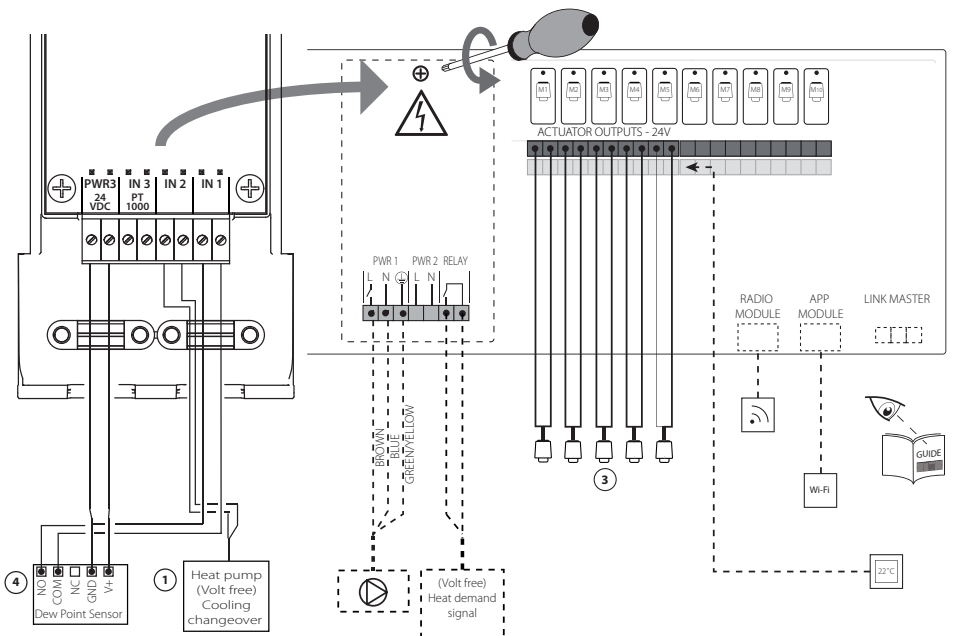
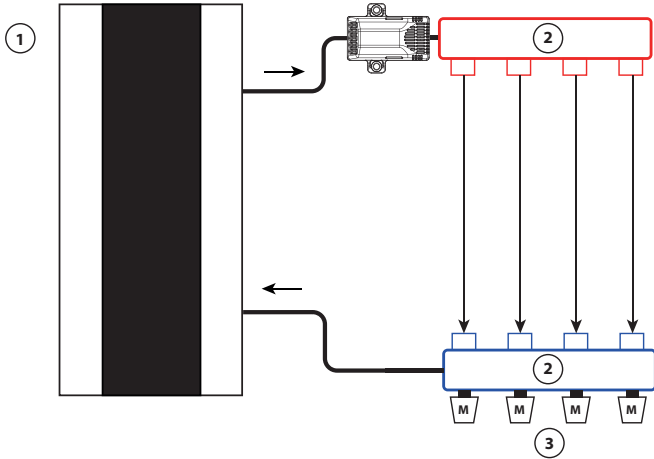
### Application 0002



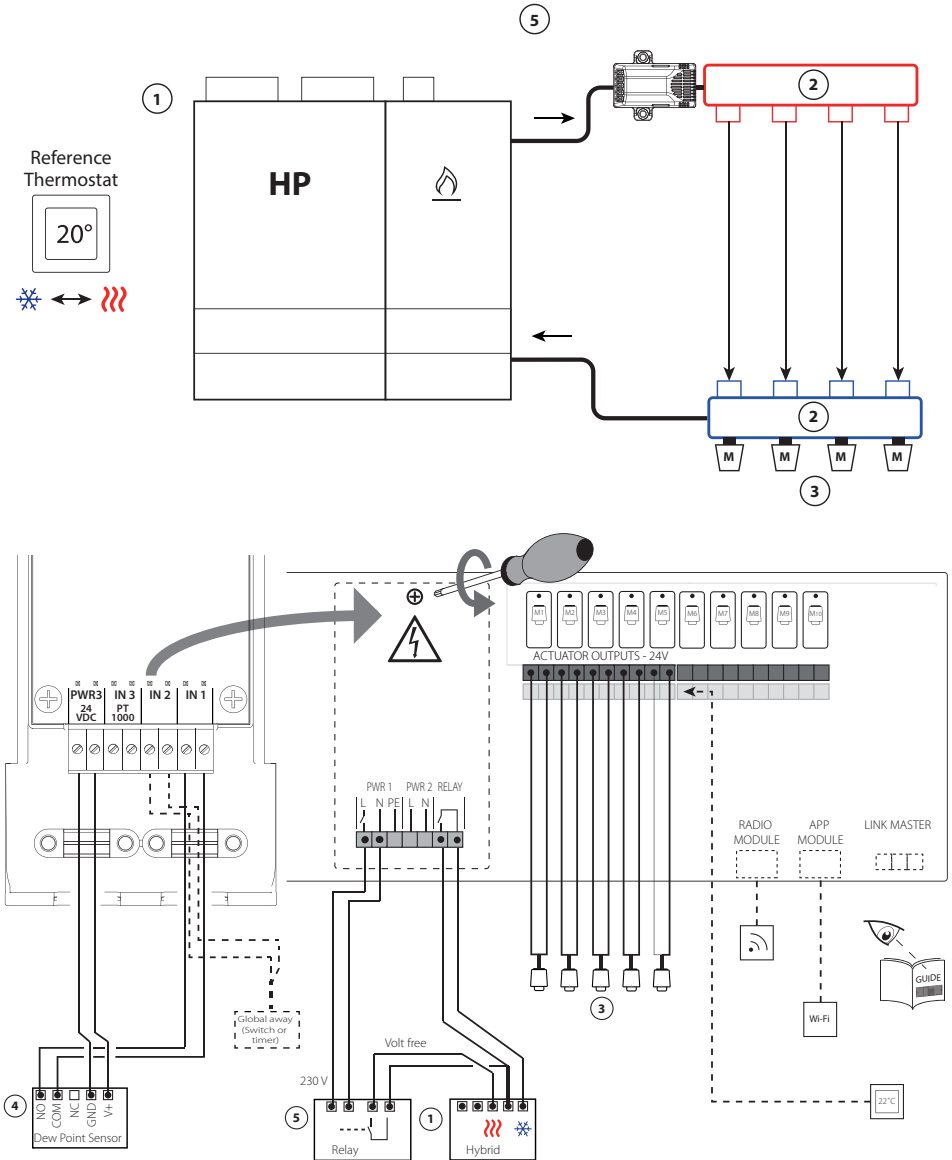
### Application 003



### Application 0004

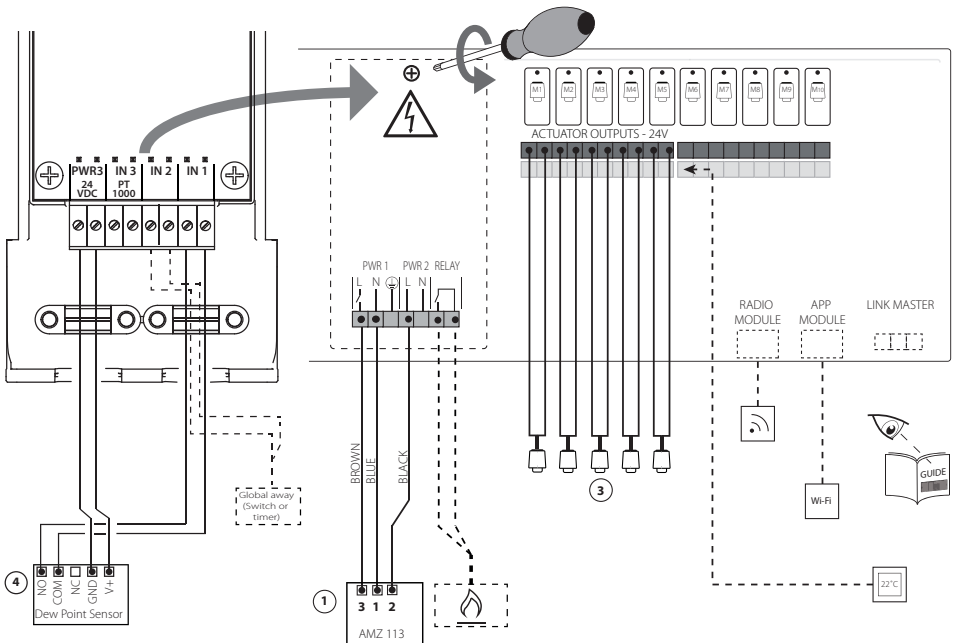
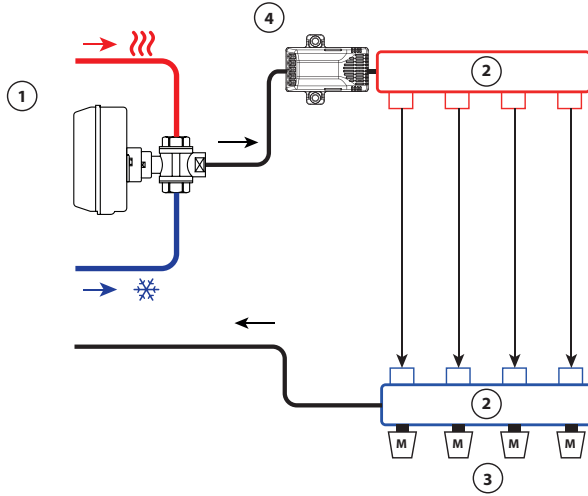


# Application 0005

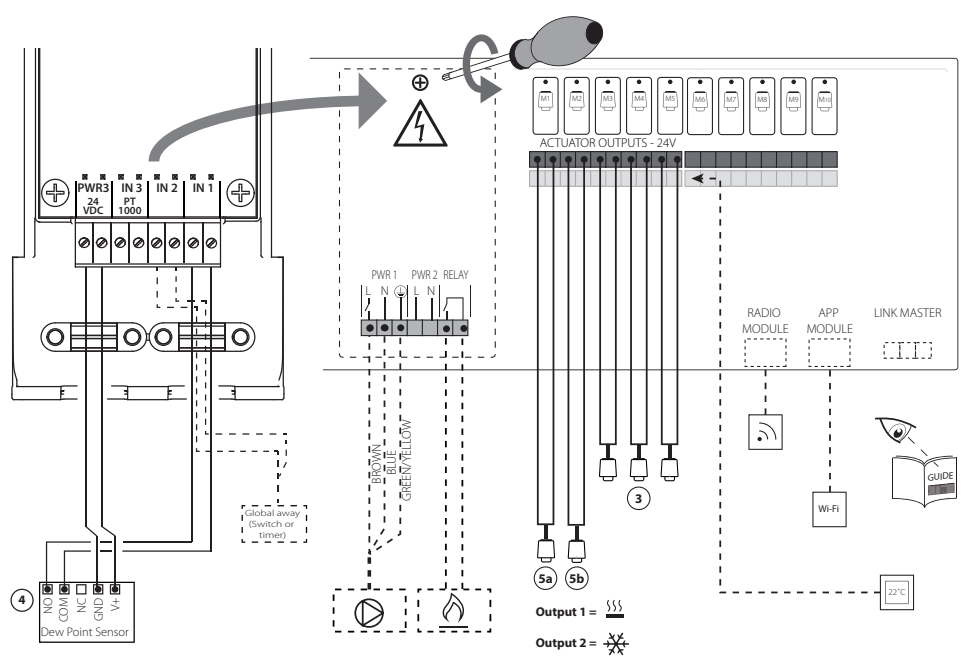
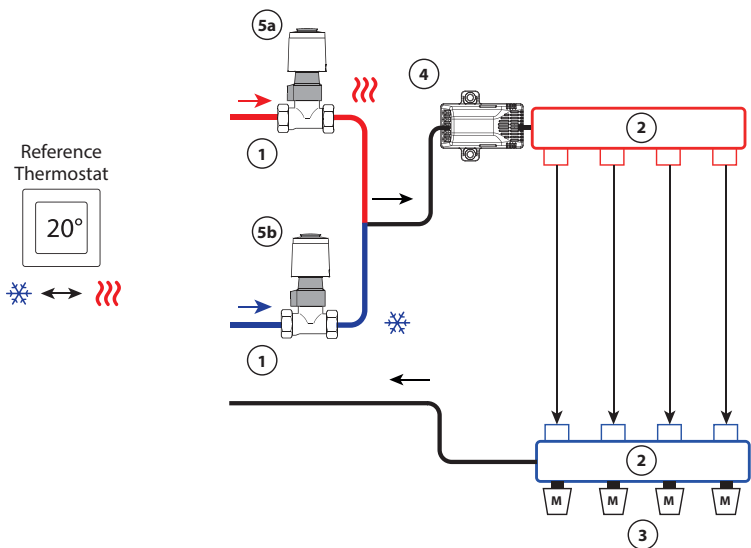


# Application 0006

Reference  
Thermostat

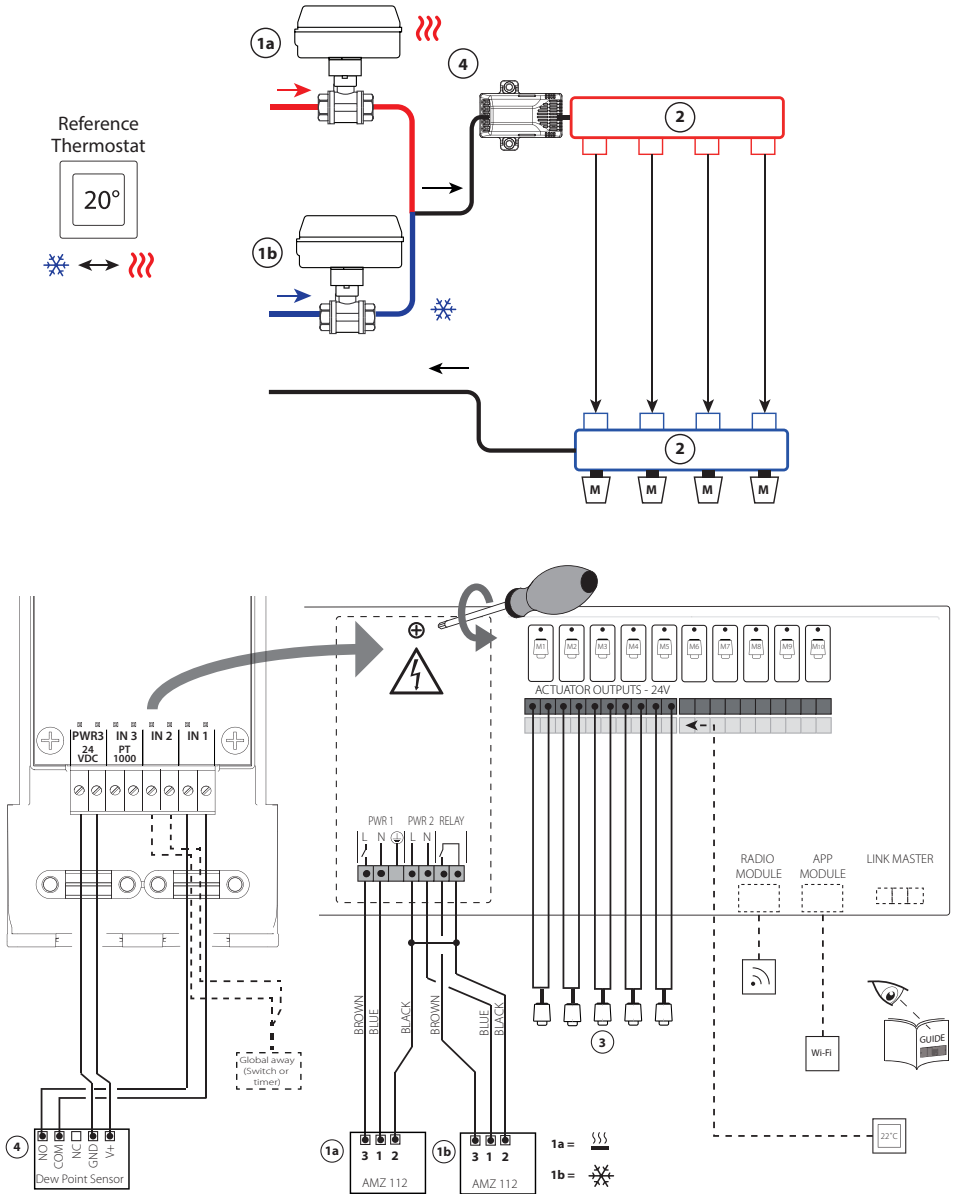


### Application 0007

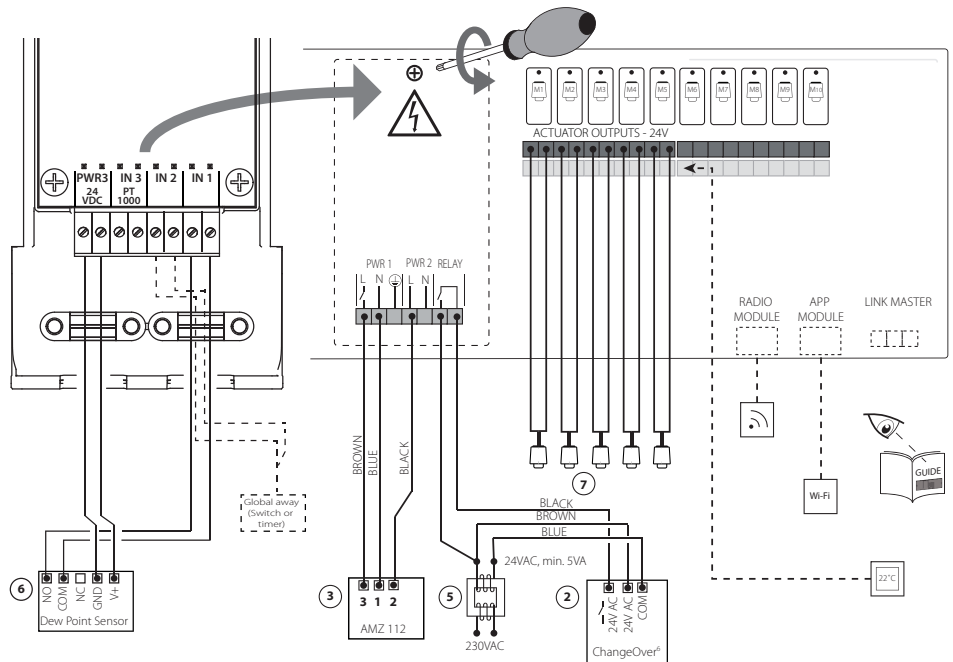
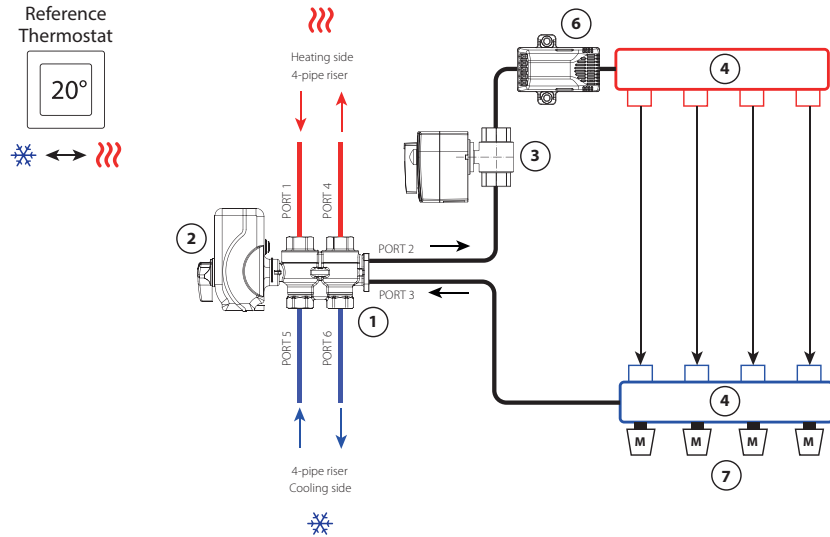




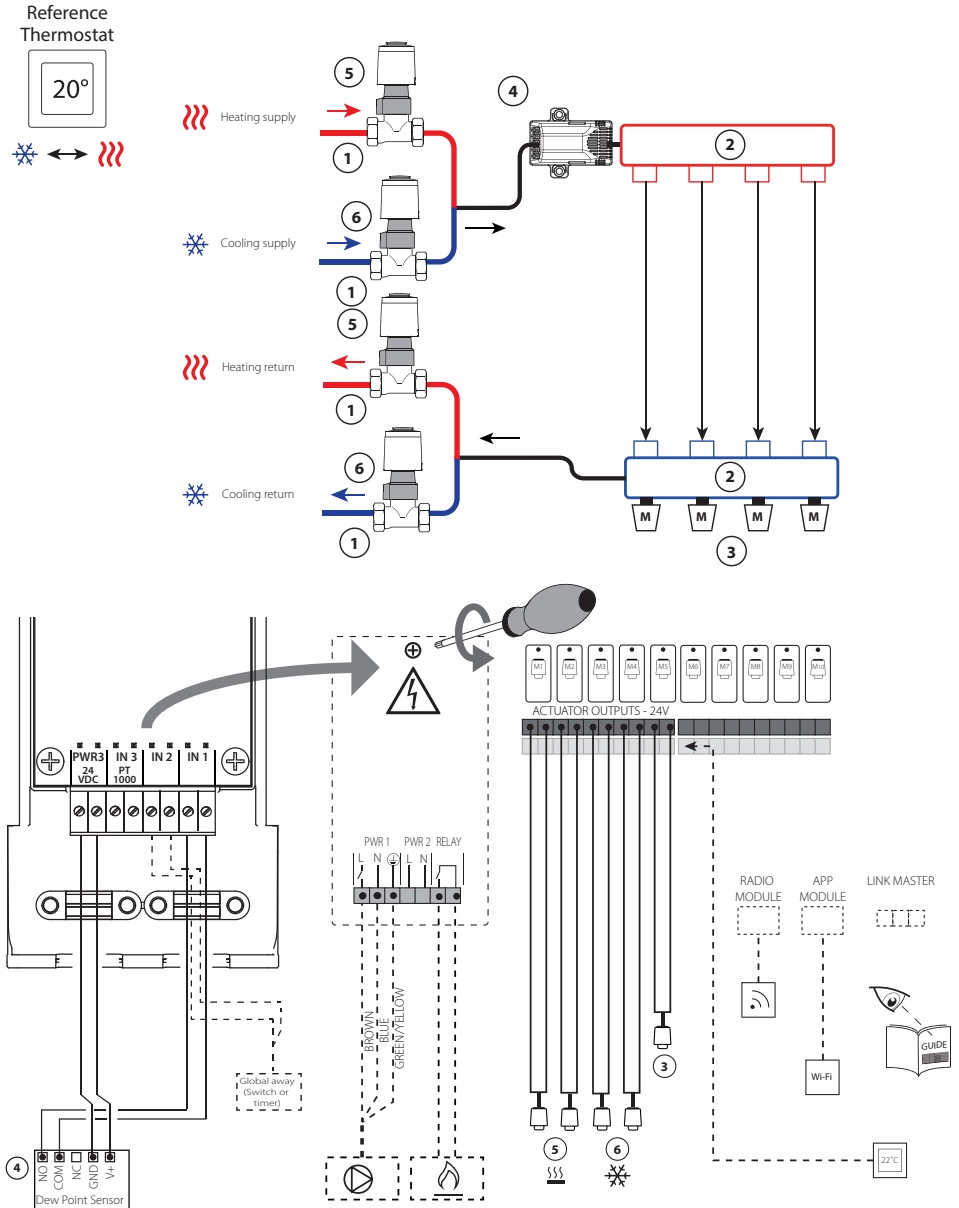
### Application 0008



### Application 0009



# Application 0010



ENGINEERING  
TOMORROW



**Danfoss A/S**  
Heating Segment • [heating.danfoss.com](http://heating.danfoss.com) • +45 7488 2222 • E-Mail: [heating@danfoss.com](mailto:heating@danfoss.com)

---

Danfoss can accept no responsibility for possible errors in catalogues, brochures and other printed material. Danfoss reserves the right to alter its products without notice. This also applies to products already on order provided that such alterations can be made without subsequential changes being necessary in specifications already agreed.  
All trademarks in this material are property of the respective companies. Danfoss and all Danfoss logotypes are trademarks of Danfoss A/S. All rights reserved.

---